

Illumination Transparent Sight Glass Level Gauges

Even bright illumination
Fluorescent lamps with high light-performance und long lifetime

Product group **709**

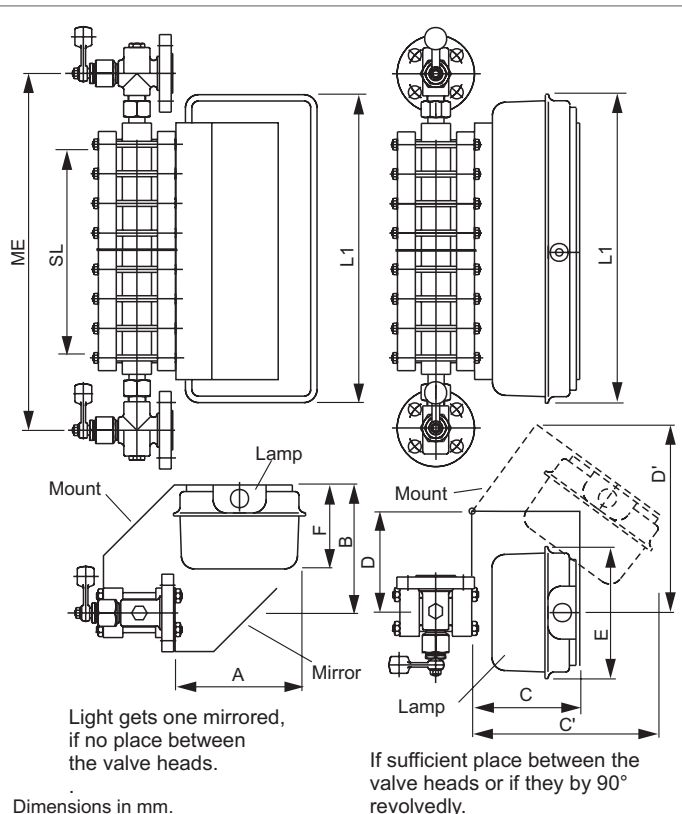
Type **2XXX**

Sheet: 1/1

Revision: 1

Date:

02/04



Dimensions in mm.

*) The type of the mount varies with length and weight of the lamp.
Lamp with mount can be ordered also on the other side.
The shown sight glass level gauge is only an example.

Making measures

Typ	A	B	C	C'	D	D'
.21X1K	200	250	160	500	250	500
.21X2K	200	250	160	500	250	500
.22X3K	250	250	180	500	250	500

Dimensions Lamps

Typ	.21G1K	.21A1K	.21D1K	.21G2K	.21A2K	.21D2K	.2243K	.2283K	.22E3K
L1	667	1277	1577	732	1332	1632	700	1310	1610
E	105	105	105	188	188	188	221	221	221
F	116	116	116	130	130	130	143	143	143

Field of Application

The illuminations are designed for illuminating sight windows according to DIN 7081 and mica sight windows. By variation of the lamp length in three graduations the examination of the lights task can be adapted. Can be operated in hazardous area according to ATEX and FM.

General Data

Material housing lamp: plastics
Dimensions: see table
Weight type
- .21G1K/.21A1K/.21D1K: 1,5/2,8/4,0 kg
- .21G2K/.21A2K/.21D2K: 6,7/6,7/8,0 kg
- .2243K/.2283K/.22E3K: 6,7/8,0/9,1 kg

Design Data

Temperature ambient
- .21G1K/.21A1K/.21D1K: 0...+40 °C
- .21G2K/.21A2K: -20...+50 °C
- .21D2K: -20...+40 °C
- .2243K/.2283K/.22E3K: -20...+50 °C

Ex-data

- .21G2K/.21A2K/.21D2K: EEx ed IIC T4
- .2243K/.2283K/.22E3K: Cl.1 Zone 1&2 AEx ed IIC T4
Class I Div. 2 Groups ABCD T4
Class II Div 1&2 Groups EFG
Class III

Electrical Data

Power supply
- .21G1K/.21A1K/.21D1K: 230 VAC
- .21G2K/.21A2K/.21D2K: 230 VAC
- .2243K/.2283K/.22E3K: 120 VAC

Flourescent lamps

- .21G1K/.21A1K/.21D1K: 2-pin
- .21G2K/.21A2K/.21D2K: 18/36/58 W
- .2243K/.2283K/.22E3K: 2-pin T8
17/32/65 W

Ingress protection

- .21G1K/.21A1K/.21D1K: IP65
- .21G2K/.21A2K/.21D2K: IP66
- .2243K/.2283K/.22E3K: IP66 / NEMA 3, 4, 4X

Certificates

- .21G2K/.21A2K/.21D2K: PTB 96 ATEX 2144
- .2243K/.2283K/.22E3K: FM File No. J.I. 3D2A9.AE
Subject to alterations

Ordering no.

7 0 9 . 2 X X X - K

Power supply	230 VAC	1					
	120 VAC (onlyr FM)	2					
Lamp power	1*17 W (only FM)	4	1	Standard	Type		
	2*18 W	G	2	ATEX			
	1*32 W (only FM)	8	3	FM			
	1*36 W	A					
	1*58 W	D					
	1*65 W (only FM)	E					

PHÖNIX

Messtechnik GmbH
Salzschlierer Straße 13
D-60386 Frankfurt/M.
Tel. +49/69/41 67 42 - 20
Fax +49/69/41 67 42 - 29
sales@phoenix-mt.com
www.phoenix-mt.com

PHÖNIX