

Mini Switch

Compact Optoelectronic liquid Level limit switch with integrated alternating light circuit module. The switching function may be adapted for the application. The output configuration is an open-collector pnp-Transistor.

Product group **720**

Type **002L**

Page: 1/1

Revision: 5

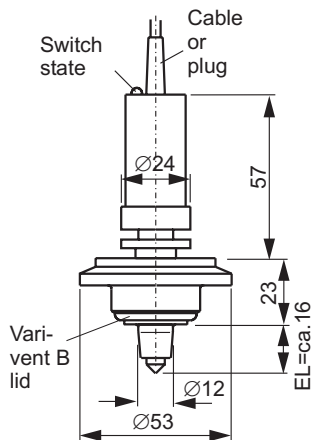
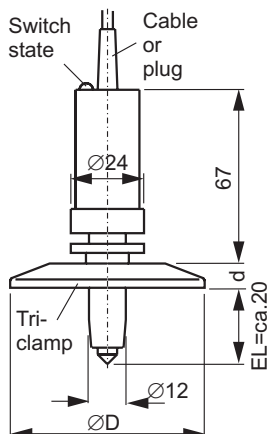
Date:

9/05

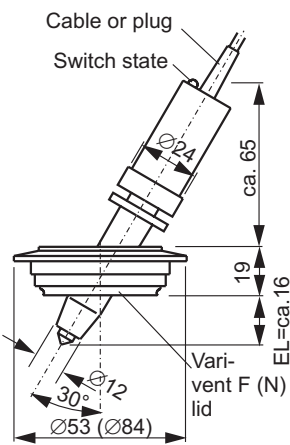


Measure table Tri-Clamp

Diameter	ØD	d
NW10/15	34,0	4,7
NW25/ISO32/NW40	50,5	6,4
2"/NW50	64,0	6,4
2 1/2"/ISO60,3/63,5	77,5	6,4



Measures in mm



Field of application

This Optoelectronic limit switch is for signalling liquid level limits especially in sterile areas. A big advantage is that to a great extent the optoelectronic sensor works independently of physical properties like density, dielectric constant, conductivity or color. The very compact construction only needs a minimum of space and enables it also to measure very small volume levels. With its built in green LED the activated state is indicated.

General Data

Measuring accuracy: +/-0,5 mm
 Light source: IR-Light 930 nm
 Ambient light: max. 10.000 Lux
 Minimum distance sensor tip to any opposite wall (electropolished): >25 mm (depends very strongly on the nominal size of pipe and surface finish), or mount diagonally or mount in a pipe bend
 Mounting direction: any
 Indication of active output: green LED
 Switch logic: to be set by factory

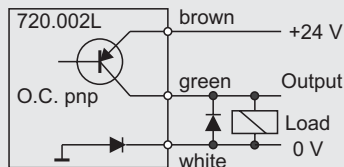
Design Data

Operating temperature: -30 to +140 °C
 Ambient temperature: -25 to +70 °C
 Sterilizing with steam: 15 min. at 150 °C
 Operating pressure: 0 - 2,5 MPa (0 - 25 bar)
 Material media affected: SS, see ordering no.
 Material Light guide: Quartzglass
 Material packing: PTFE
 Material housing: 1.4301
 Weight: 0.125 kg + weight of mechan.conn.

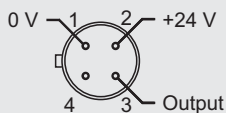
Electrical Data

Rated voltage: 24 V DC +/- 30 %
 Supply current max.: 40 mA
 Output: o. C. pnp-Transistor current, voltage dissipation limited short-circuit-protected
 Switch current (Tu=70 °C): 0,5 A
 Connection: PVC-cable 3*0.14 mm² or TEFLON-cable 3*0.24 mm² or plug 4-pole serie 713
 Ingress protection EN 60529 with plug: IP 65
 With cable: IP 66
 subject to alterations

Connection diagram



pin assignment



Ordering no.

7 2 0 . 0 0 2 L - S X - X X X X X X X X		B Binder type 713	Cable, plug sort
		P PVC	
		T Teflon, high temp.resistant	
Switch direction	switching immersed E	3 3 m	Cable length
	switching dry A	5 5 m	
Material	1.4301	K Cable	electrical connection
	1.4401	S Plug	
	1.4435	0 90° vertical mounting position	mounting angle
Connection type	Tri-Clamp NW50	3 30° sloping mount. pos. (Vari-vent form F/N)	
	Vari-vent form B	1 NW 10/15 (not for Ingold and Tri-Clamp)	Connection form
	Vari-vent form F	2 NW25	
	Vari-vent form N	4 NW40	
	Ingold	5 NW50	
	Coupling for food acc. to DIN 11887	L D G 1 1/4"	

PHÖNiX

Messtechnik GmbH
 Salzschlirfer Straße 13
 D-60386 Frankfurt/M.
 Tel. +49/69/41 67 42 - 20
 Fax +49/69/41 67 42 - 29
 sales@phoenix-mt.com
 www.phoenix-mt.com

