

Technical data

MICA IL-80 ATEX

Rechargeable safety hand lamp



The tough, durable casing is anti-static and protects the advanced electronics giving a product that will perform in the most demanding environments. A dual power switch allows you to obtain the ideal combination of beam power and usage time (12...18 hours).

Certification:

VTT 03 ATEX 027X
DNV Type approval certificate No. E-4917
EMC Directive 89/336/EEC
Directive 94/9/EEC

Code:

II 2 G D EEx e ib IIC T4 / (Tamb = -20...+35°C) / T3

Type of protection

"e" increased safety, "ib" intrinsic safety
Area of classification G (Gas) zones 1 and 2,
gas groups IIA, IIB and IIC.
Area of classification D (Dust) zones 21 and 22

Apparatus standard:

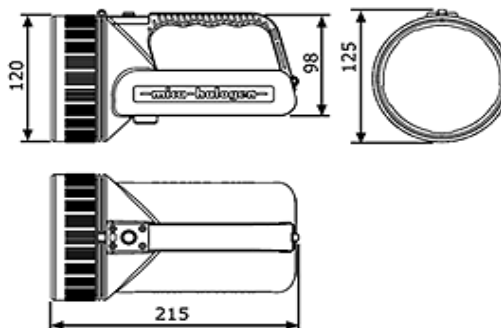
En 50 014, EN 50 019, EN 50 020, EN50281-1-1

Ingress:

Operating temperature -20...+40°C
Enclosure antistatic polypropylene
Protection class IP66
Weight with battery 1,4 kg
Dimensions 121 x 121 x 216 mm
Toughened glass lens (5mm)
Spot / flood type beam

MICA IL-80 ATEX em

Rechargeable emergency lamp



On the model IL-80 ATEX em a emergency lighting function switches the lamp on when a power failure occurs. For this the lamp should be inserted into IL-35 charging holder.

Power source:

6V 5Ah NiCD battery

Light source:

6V 2.4W halogen bulb
P13,5X socket
Output 36 lm, lifetime 100 hrs

Light duration:

Full power output: 12 hours
Half power output: 18 hours

Other features:

Deep discharge prevention
Low battery warning 15 min. before battery runs out.
Floats if dropped in water

Accessories:

Fully automatic charger IL-35; 12...30VDC.
Multi charger MICA CR-33 for 3 lamps
Multi charger MICA CR-35 for 5 lamps
Mains adapter IL-1 (110...240VAC)
Filters: Red, green amber

- mica -
e l e k t r o

Mica Elektro Oy LTD
P.O.Box 42,
FIN-00381 Helsinki

All specifications are subject to change without notice.

Your Local Contact:

ADSI Industries Sdn Bhd (678537-M)
No. 9A, Jalan SG 3/15, Sri Gombak City Centre,
68100 Batu Caves, Selangor D.E. MALAYSIA.
Tel:+60-3-6185 2461 Fax:+60-3-6185 2460
Email:sales@adsii.com.my Web:www.adsii.com.my